

# Housing Devices, Inc.

## ARS-1200<sup>®</sup> Back Box & Surface Collars

### PRODUCT FEATURES

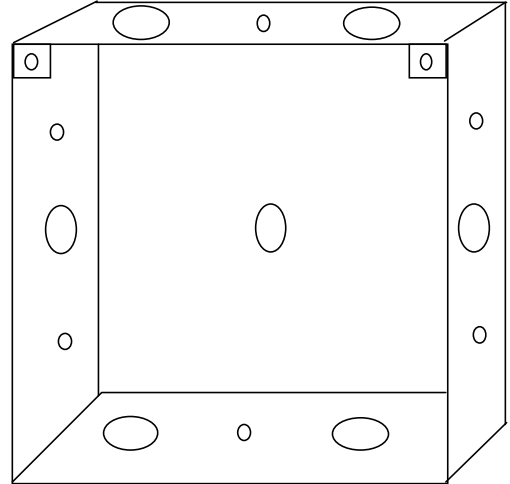
#### (Back Boxes)

- 16 Gauge Galvanized Metal
- 1½ inch Conduit Knock-Outs
- Screw Holes (for easy mounting)

### TECHNICAL DATA

#### (Back Boxes)

- ARS-BB-A (Area Station) 8" x 8" x 4"
- ARS-BB-M (Master Station) 8" x 8" x 4"



*\*Back Boxes available for larger and retrofit systems\**

---

### PRODUCT FEATURES

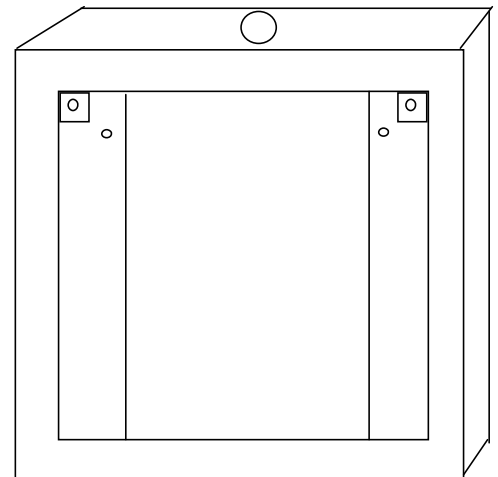
#### (Surface Collars)

- 18 Gauge 304 Stainless Steel
- 1½ inch Conduit Knock-Out
- One piece design

### TECHNICAL DATA

#### (Surface Collars)

- ARS-SCM-A (Area Station) 9.25" x 9.25" x 2.25"
- ARS-SCM-M (Master Station) 11.25" x 11.25" x 2.25"



*\*Surface Collars available for larger and retrofit systems\**