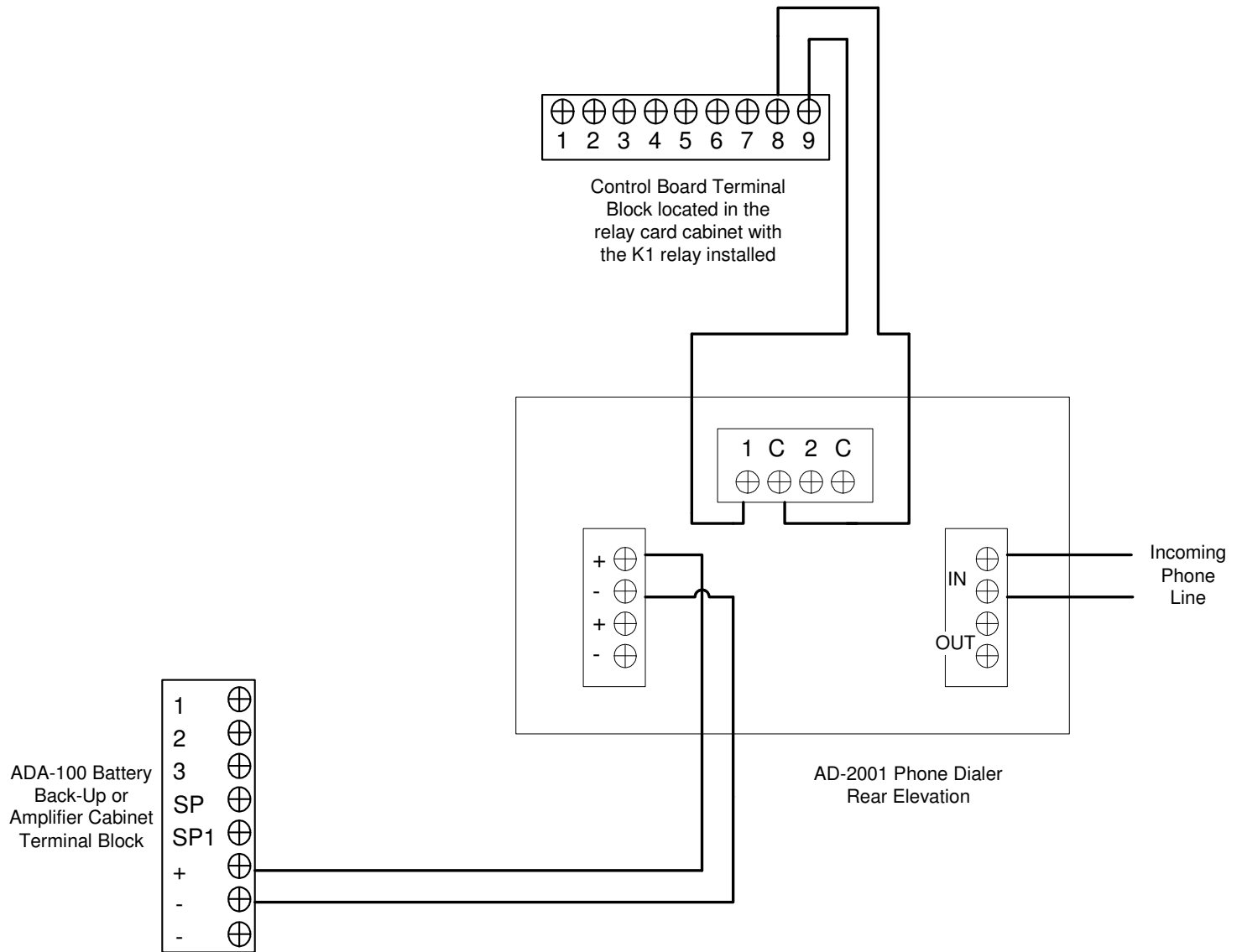


# ADA-2001 Phone Dialer Diagram



Please refer to the AD-2001 Manual  
supplied with the equipment for  
programming & additional wiring  
schematics