



Replacing an ADA-100 System with an ARS-1200 System



The ARS-1200 Master is the same size as a 5 ZONE ADA-100 Master Station, The ARS-1200 Master uses the same back box and surface collar as the ADA-100 Master. NO Changes needed remove and replace. (HDI also makes larger ARS-1200 Masters for 10,15,20,25 & 30 Zone ADA-100 masters)



The ARS-1200 AREA is the same size as the ADA-100 Area Station, The ARS-1200 Area Station uses the same back box and surface collar as the ADA-100 Area. NO Changes needed remove and replace.

Wiring:

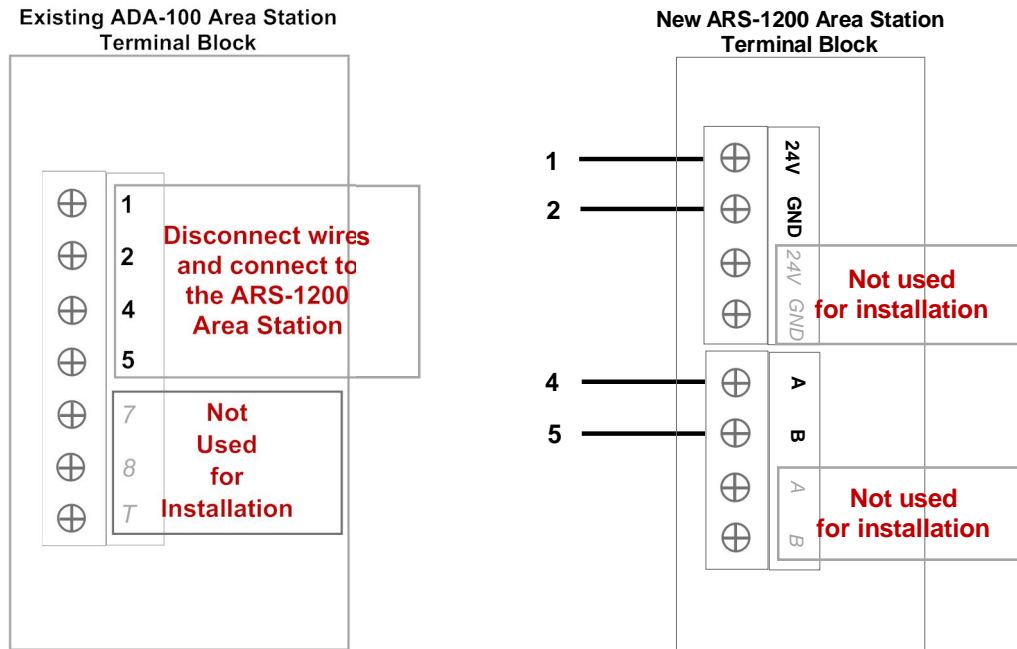
The existing 18 ga. 4 twisted pair cable that runs from the ADA-100 Area Station back to the Relay Card Cabinet is used (The ARS-1200 Area Station only needs 4 conductors).

The Control Board & Relay Cards mounted in the Relay Card Cabinet will be removed and replaced with the HDI-IP Board and uses existing mounting hardware. (The HDI-IP Board will process 8 Area Stations per board multiple boards are connected by ribbon cables)

The Battery Back-up from the ADA-100 System can be used 24Vdc is needed at the ARS-1200 Master Station.

The only Cables needed are a cat 5 or better from the HDI-ARS-IP Board to a network hub and then from the hub to the ARS-1200 Master Station, HDI-IP Dialer, HDI F-Server workstation (if required).

ARS-1200 Area Station Wiring Diagram Replacing an ADA-100 Station



Wiring Connections

1. Disconnect wire from number 1 on the ADA-100 Station & connect this wire to 24V on the ARS-1200 Area Station.
2. Disconnect wire from number 2 on the ADA-100 Station & connect this wire to GND on the ARS-1200 Area Station.
3. Disconnect wire from number 4 on the ADA-100 Station & connect this wire to A on the ARS-1200 Area Station.
4. Disconnect wire from number 5 on the ADA-100 Station & connect this wire to B on the ARS-1200 Area Station.

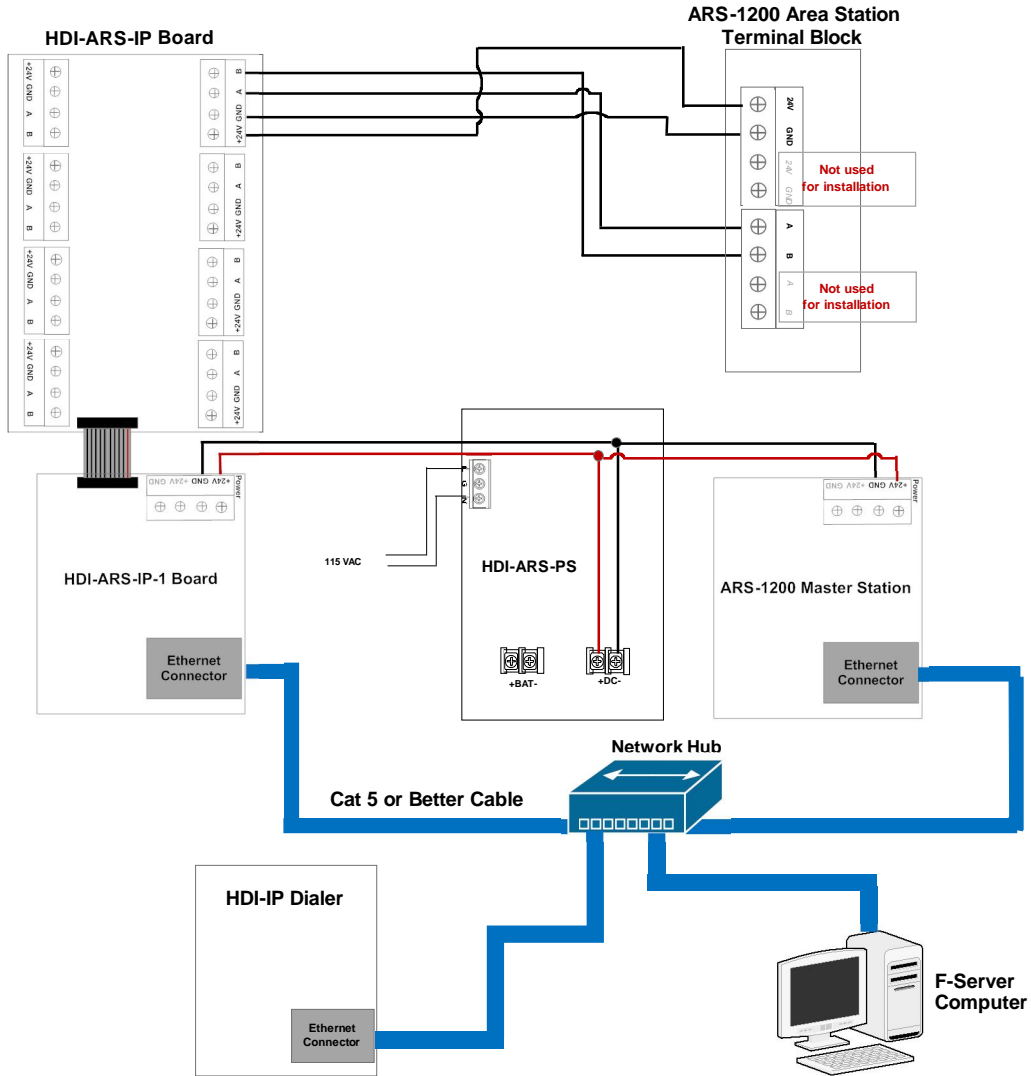
Notes

1. ADA-100 Station wires 7,8 & T are not used in the installation.(tape off at the Area Station and Relay Card Cabinet)
2. ARS-1200 Station second 24V,GND & A,B on are not used in this installation.

Housing Devices, Inc.
407 Rear Mystic Ave.
Unit 32B
Medford, MA 02155
800-392-5200



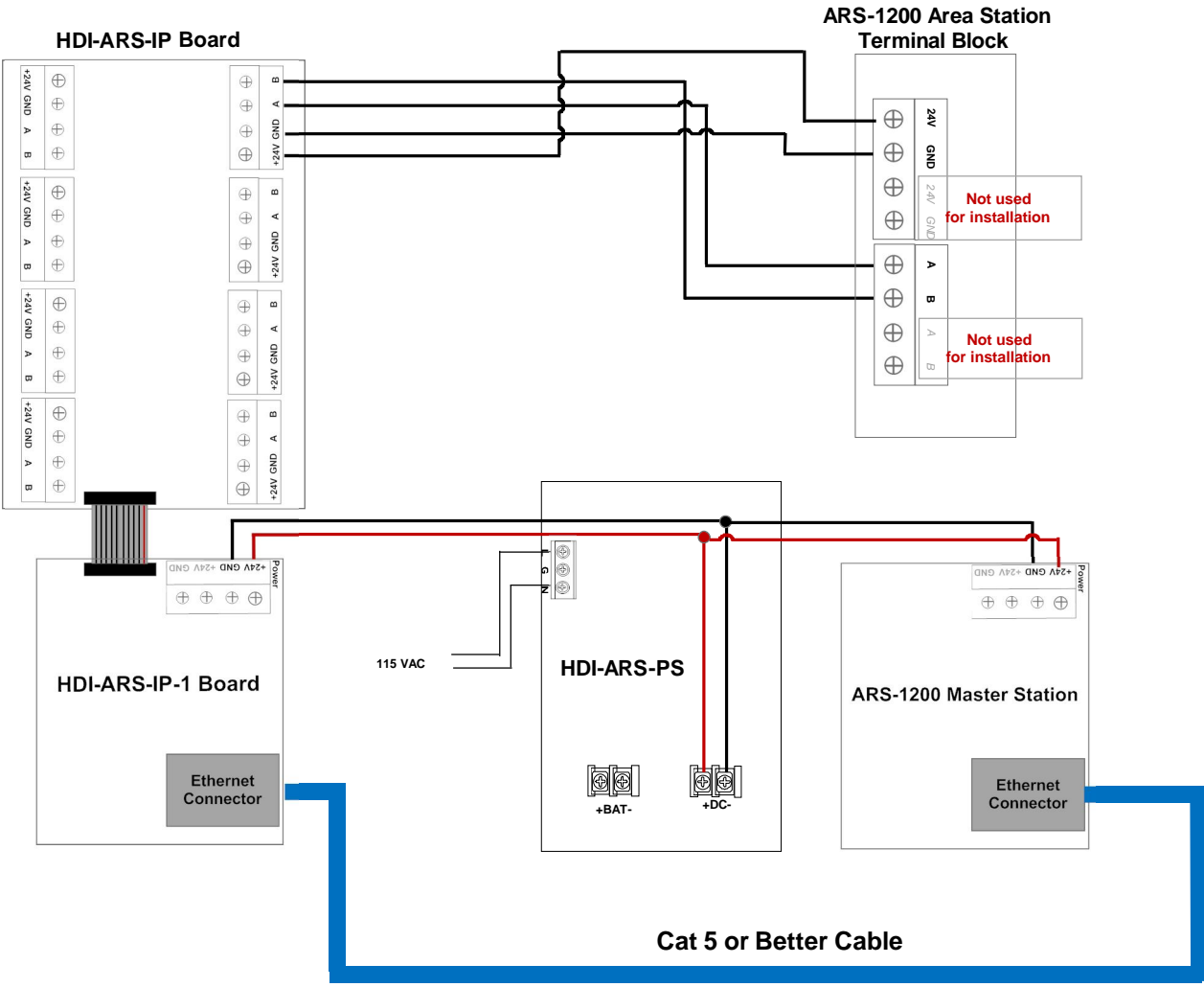
ADA-100 to ARS-1200 Wiring Diagram w\ Dialer & F-Server



Housing Devices, Inc.
 407 Rear Mystic Ave.
 Unit 32B
 Medford, MA 02155
 800-392-5200



ADA-100 to ARS-1200 Wiring Diagram



Housing Devices, Inc.
 407 Rear Mystic Ave.
 Unit 32B
 Medford, MA 02155
 800-392-5200

